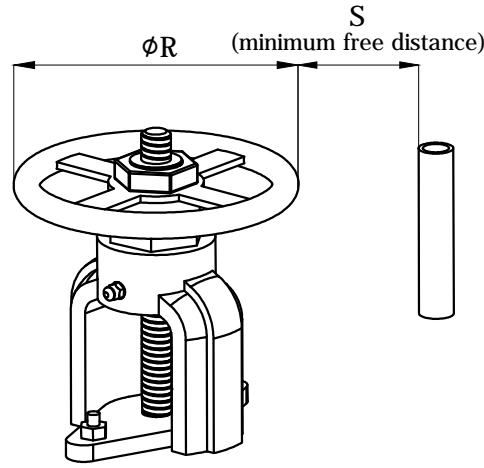
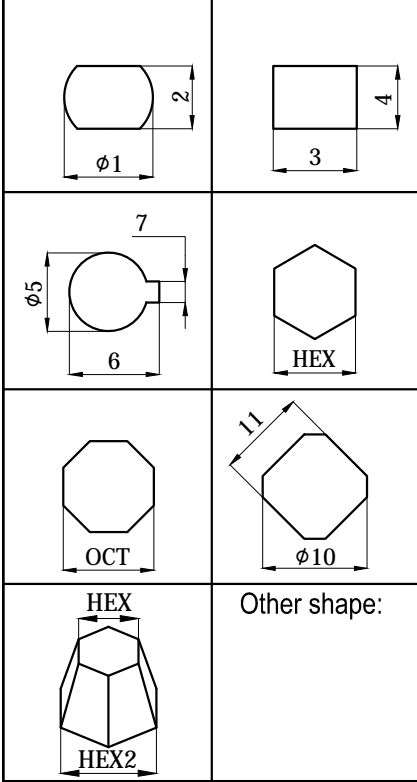


Specify shape and size of Drive Bush

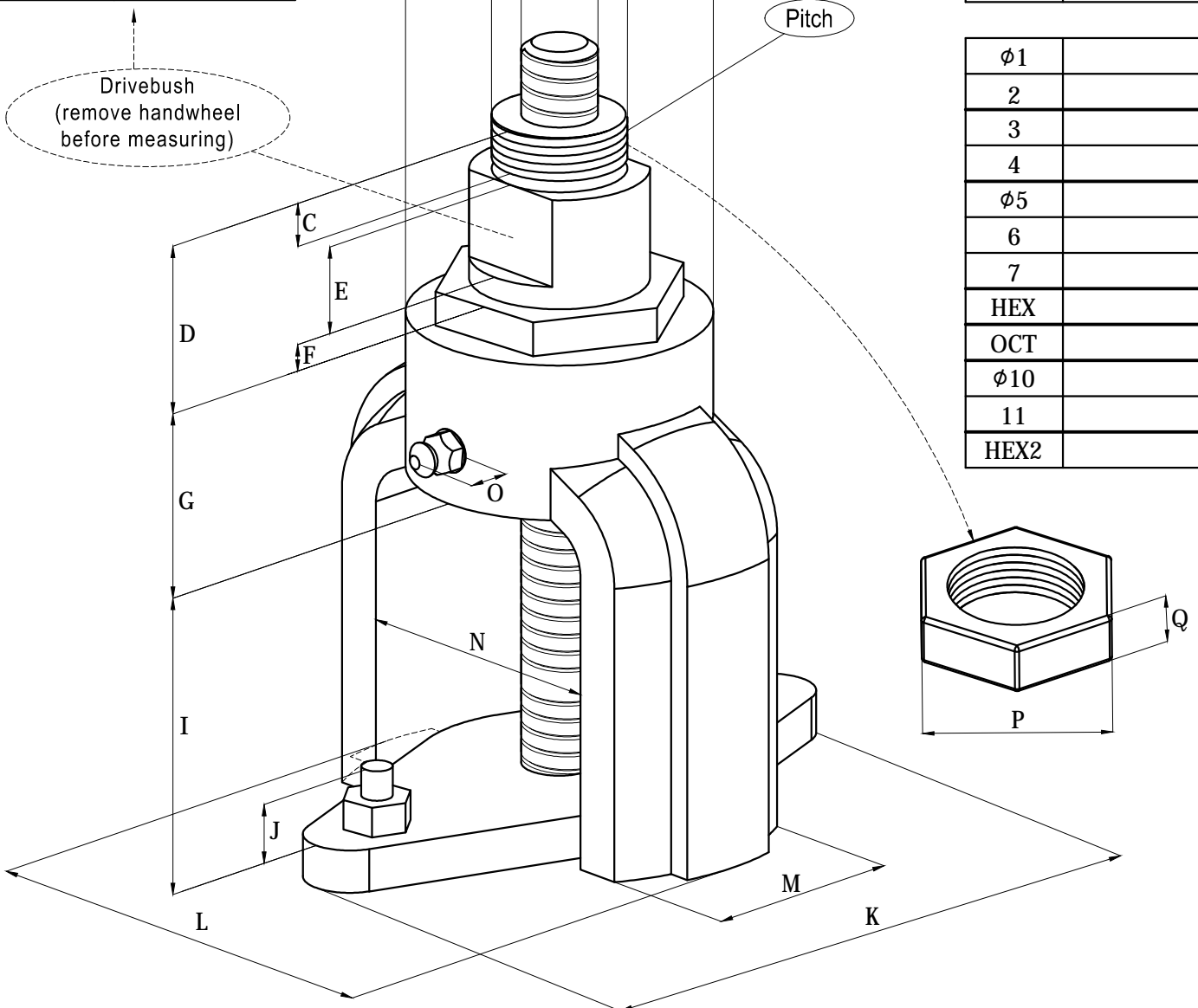
GATE VALVE FILL IN SHEET

REV: 2013-05-10

Dimension [mm]



phi A	
phi B	
C	
D	
E	
F	
G	
phi H	
I	
J	
K	
L	
M	
N	
O	
P	
Q	
phi R	
S	
pitch	



phi 1	
2	
3	
4	
phi 5	
6	
7	
HEX	
OCT	
phi 10	
11	
HEX2	