

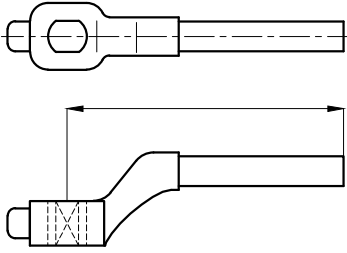
# BALLVALVE FILL-IN SHEET

FORM. NF9M004-Empty  
REV. 2013-08-14

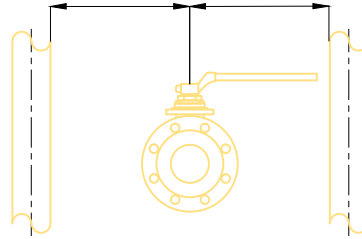
SPECIFY SHAPE AND SIZE OF STEM IN CLOSED STATE

DIRECTION OF FLOW →

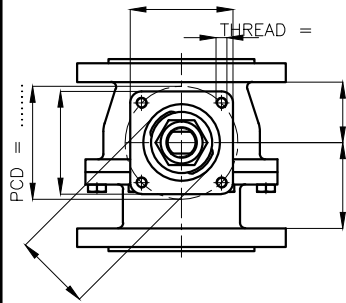
LEVER (or WRENCH)



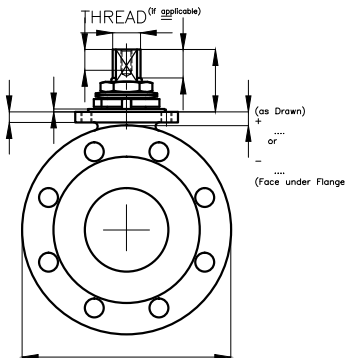
J AVAILABLE SPACING BETWEEN VALVE AND PIPING H



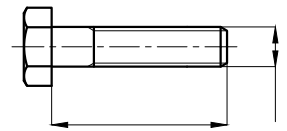
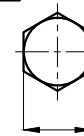
ONLY IF SPACING  $\leq$  LEVER + 50 mm



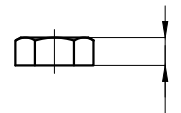
DIRECTION OF FLOW ↑



SPECIFY SORT AND SIZE OF LEVER FASTENING

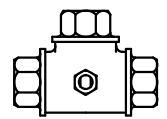
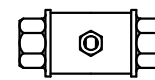


OR



INDICATE APPLICABLE TYPE

90° -Turn  180° -Turn



STRAIGHT-WAY

THREE-WAY

CLIENT:

PROJECT:

P.O. No:



Brand / Make:

Size:

Class:

A Measured by:

Date:

Sketchnr.

B Valve / Tagno.