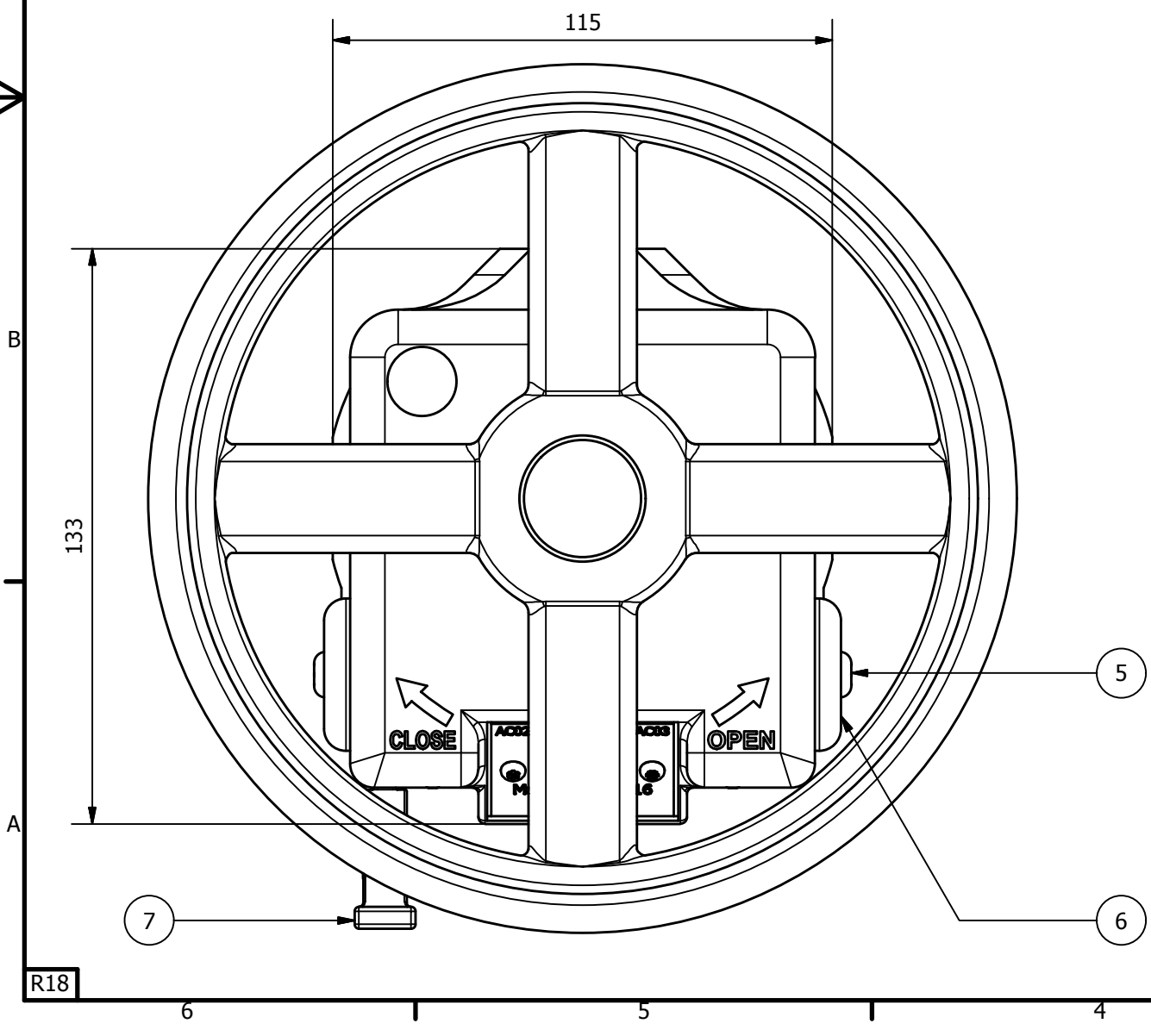
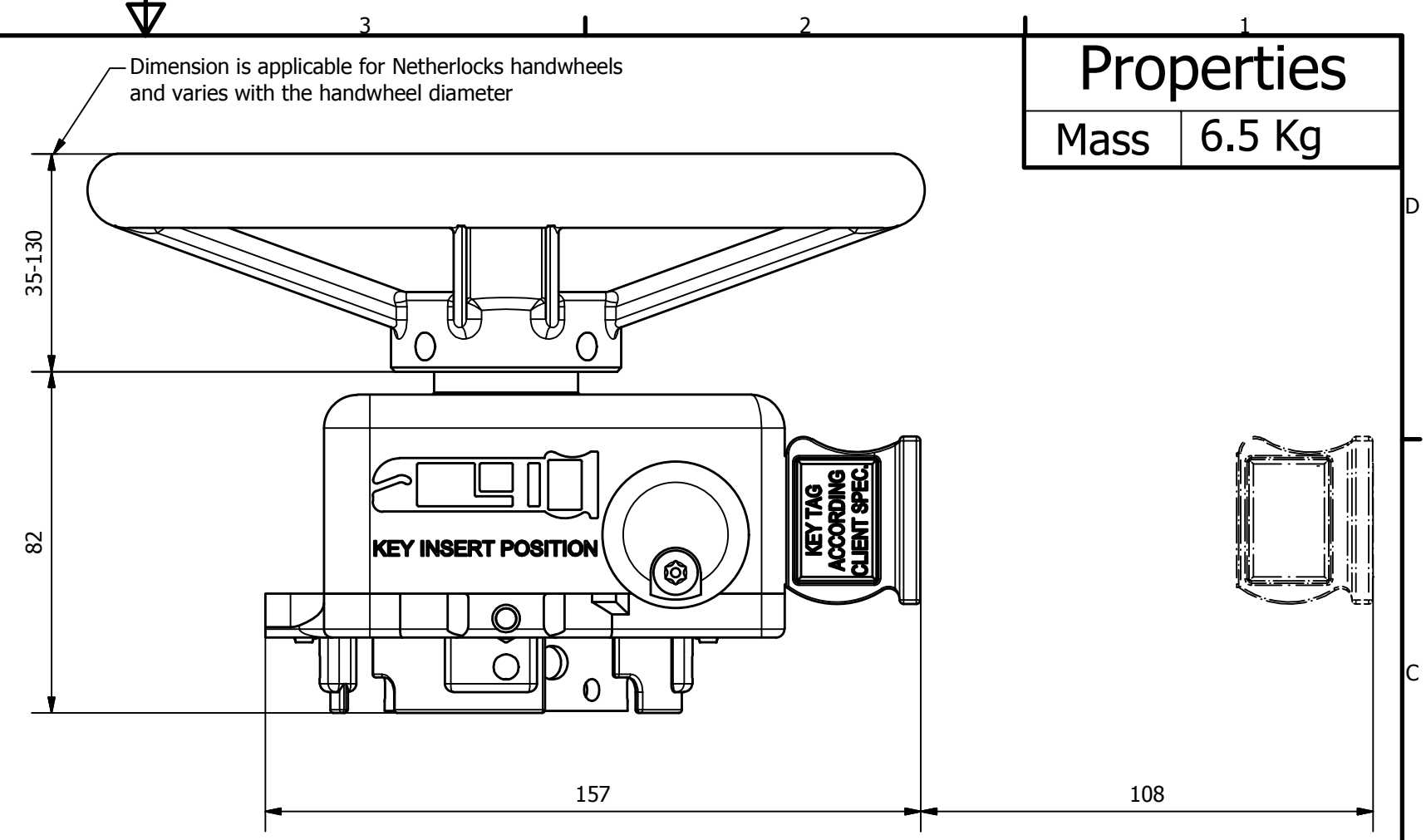
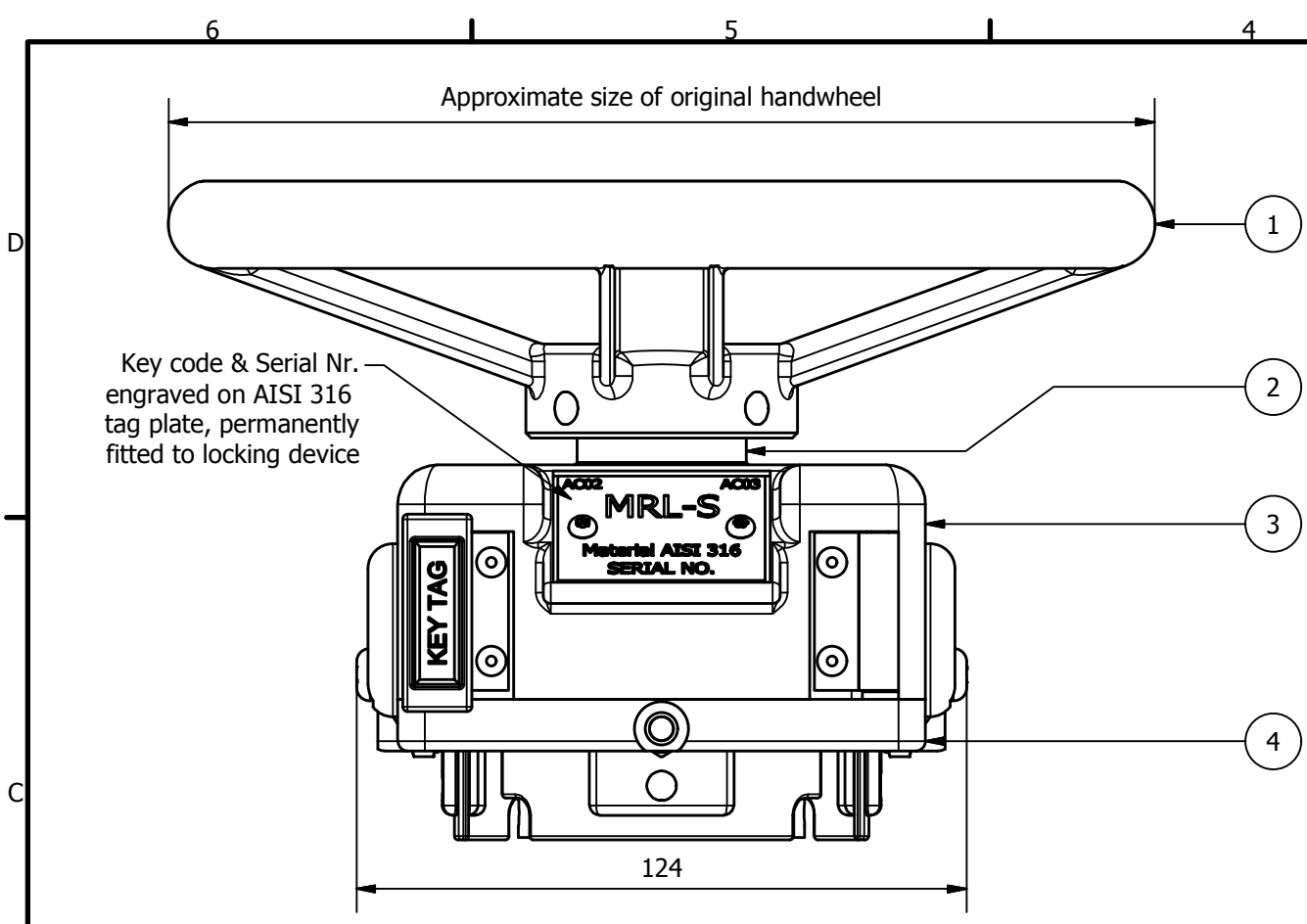


# Properties

Mass 6.5 Kg



ITEM	QTY	DESCRIPTION
7	1	KEY
6	2	ADJUSTMENT COVER
5	6	TAMPER PROOF SCREW M6
4	1	BOTTOM PLATE SMALL
3	1	LOCKBODY SMALL
2	1	TUBE MRL-S
1	1	HANDWHEEL

PARTS LIST

Drawn: AKE	Date: 19-6-2013	Checked:
Outline dimensions MRL-S Multi Rotation Lock - Small type		
Drawing: MRL-S_GA	Units: mm	
Projection:		A3