

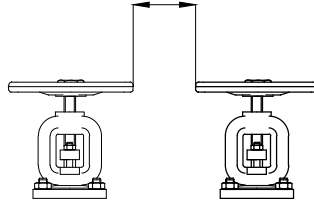
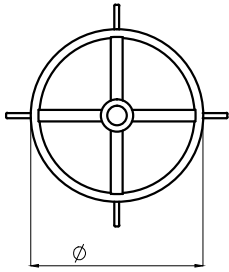
# GLOBEVALVE FILL-IN SHEET

FORM. NF9M002  
REV. 2013-05-10

SPECIFY SHAPE AND  
SIZE OF STEM

HANDWHEEL

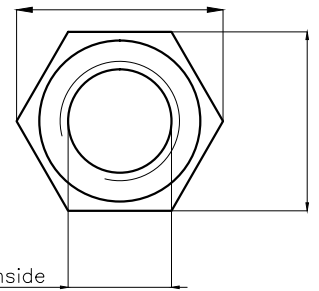
G AVAILABLE SPACING BETWEEN HANDWHEELS F



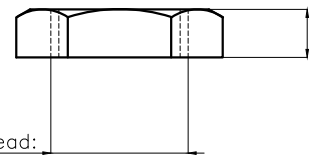
ONLY IF SPACING  $\leq$  50 mm

Conical: 	Other Shape: 
*STEM TOP 	
**STEM BOTTOM 	

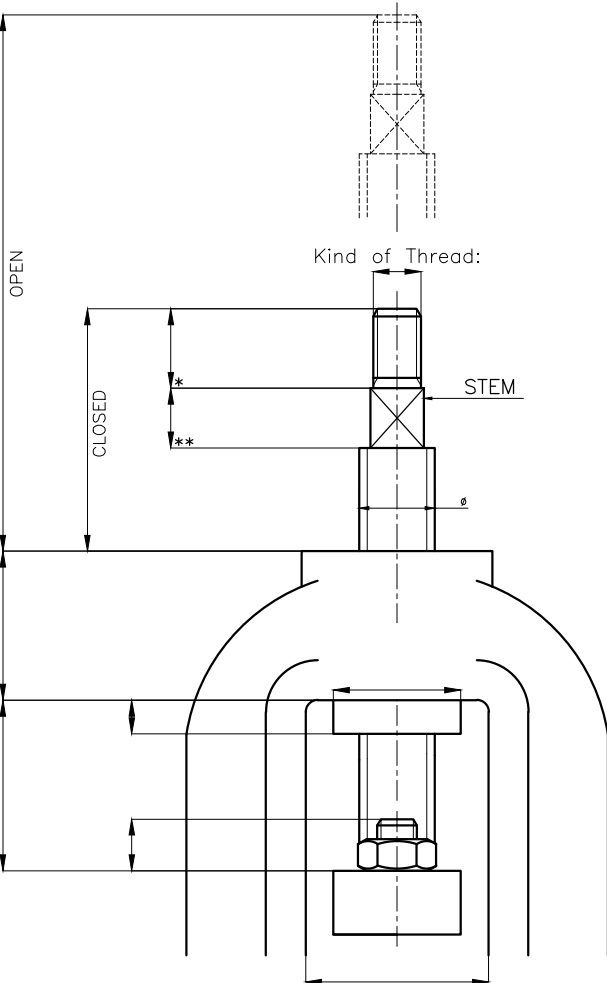
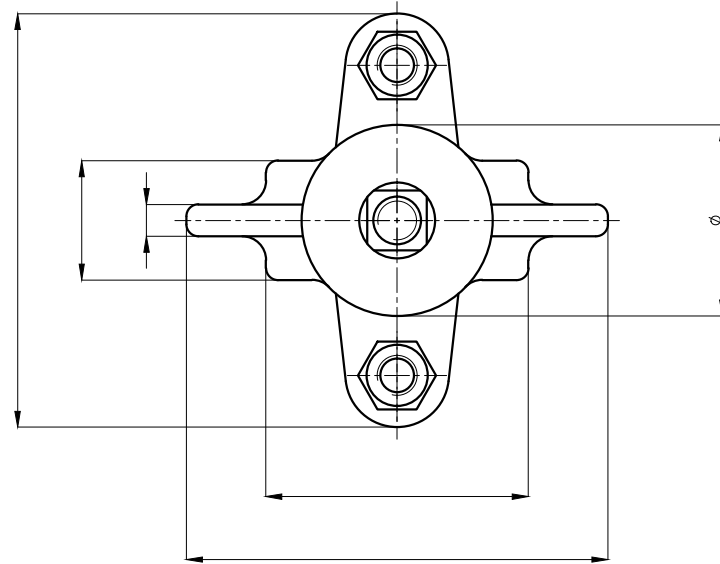
HANDWHEEL-NUT



D inside



Kind of Thread:  
Pitch =



Kind of Thread:

STEM

OPEN

CLOSED

S

CLIENT: \_\_\_\_\_

PROJECT: \_\_\_\_\_

P.O. No: \_\_\_\_\_



Brand / Make:

Size:

Class:

A Measured by: \_\_\_\_\_ Date: \_\_\_\_\_

Sketchnr. \_\_\_\_\_

B Valve / Tagno. \_\_\_\_\_