

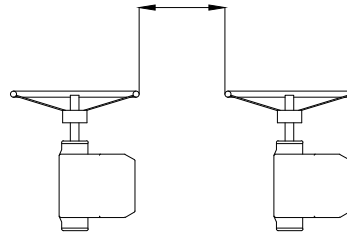
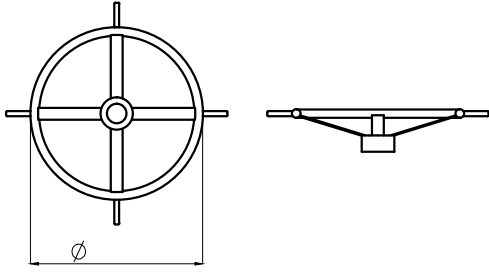
GEARBOX FILL-IN SHEET

FORM. NF9M003-4
REV. 2013-05-10

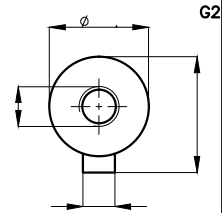
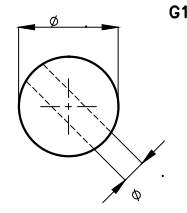
SPECIFY SHAPE AND
SIZE OF HANDWHEEL AXLE

HANDWHEEL

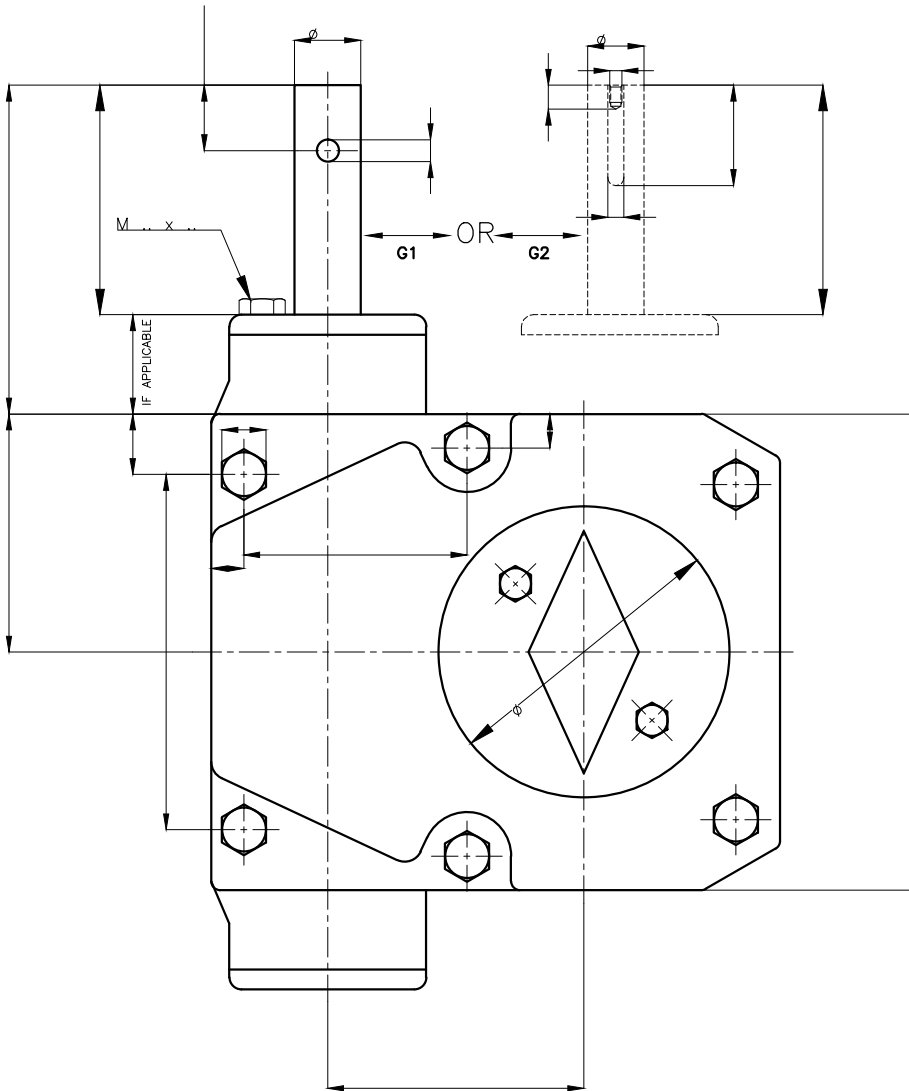
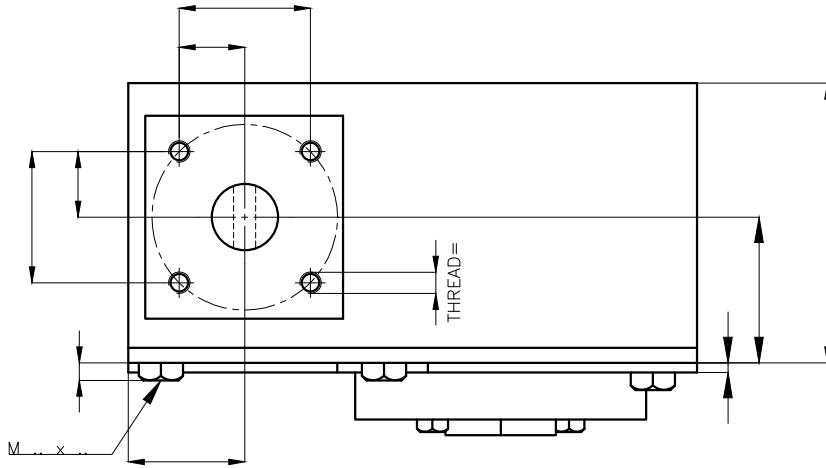
J AVAILABLE SPACING BETWEEN HANDWHEELS H



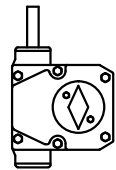
ONLY IF SPACING \geq 50 mm



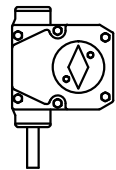
Other Shape:



INDICATE
APPLICABLE
VIEW



OR



CLIENT:

PROJECT:

P.O. No:

Brand / Make:

Model:

Number of Turns:

A Measured by:

Date:

Sketchnr.

B Valve / Tagno.

