

# BALLVALVE FILL-IN SHEET

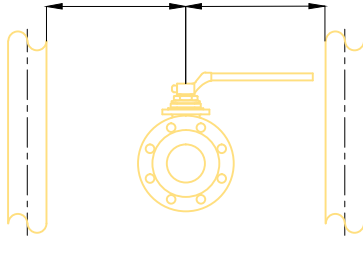
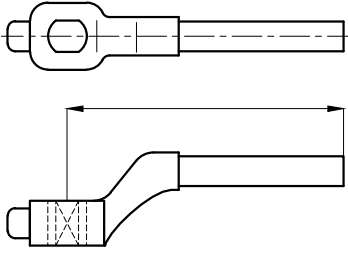
FORM. NF9M004  
REV. 2013-08-14

SPECIFY SHAPE AND SIZE OF STEM IN CLOSED STATE

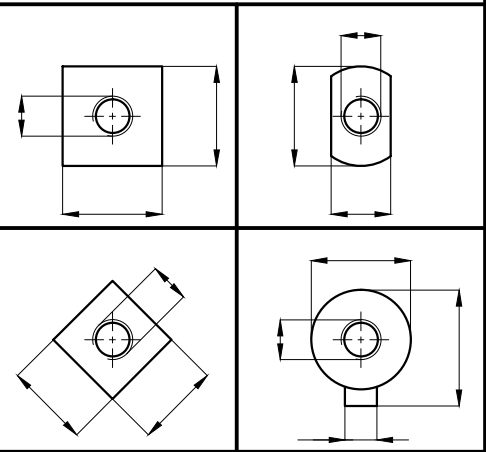
DIRECTION OF FLOW →

LEVER (or WRENCH)

J AVAILABLE SPACING BETWEEN VALVE AND PIPING H

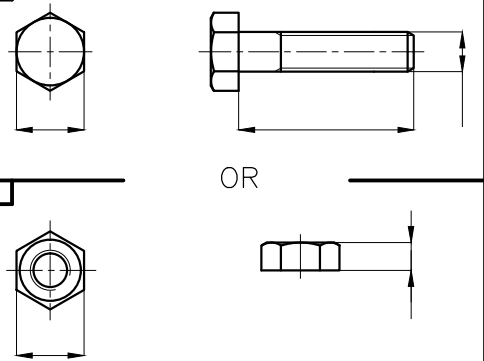


ONLY IF SPACING  $\leq$  LEVER + 50 mm



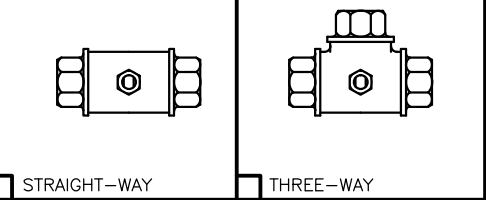
Other Shape:

SPECIFY SORT AND SIZE OF LEVER FASTENING



INDICATE APPLICABLE TYPE

90° -Turn  180° -Turn



STRAIGHT-WAY

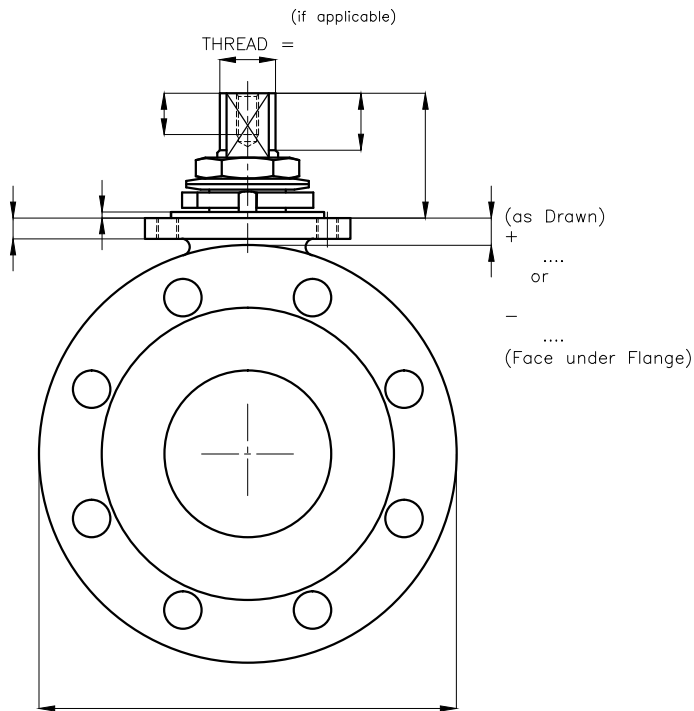
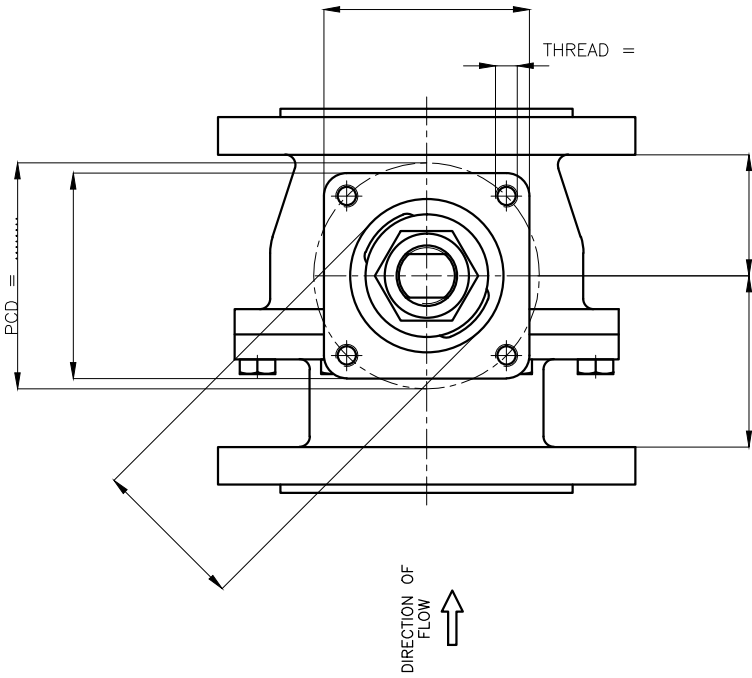
THREE-WAY

CLIENT:

PROJECT:

P.O. No:

Valve / Tagno.



Brand / Make:

Size:

Class:

A Measured by:

Date:

Sketchnr.

B Valve / Tagno.