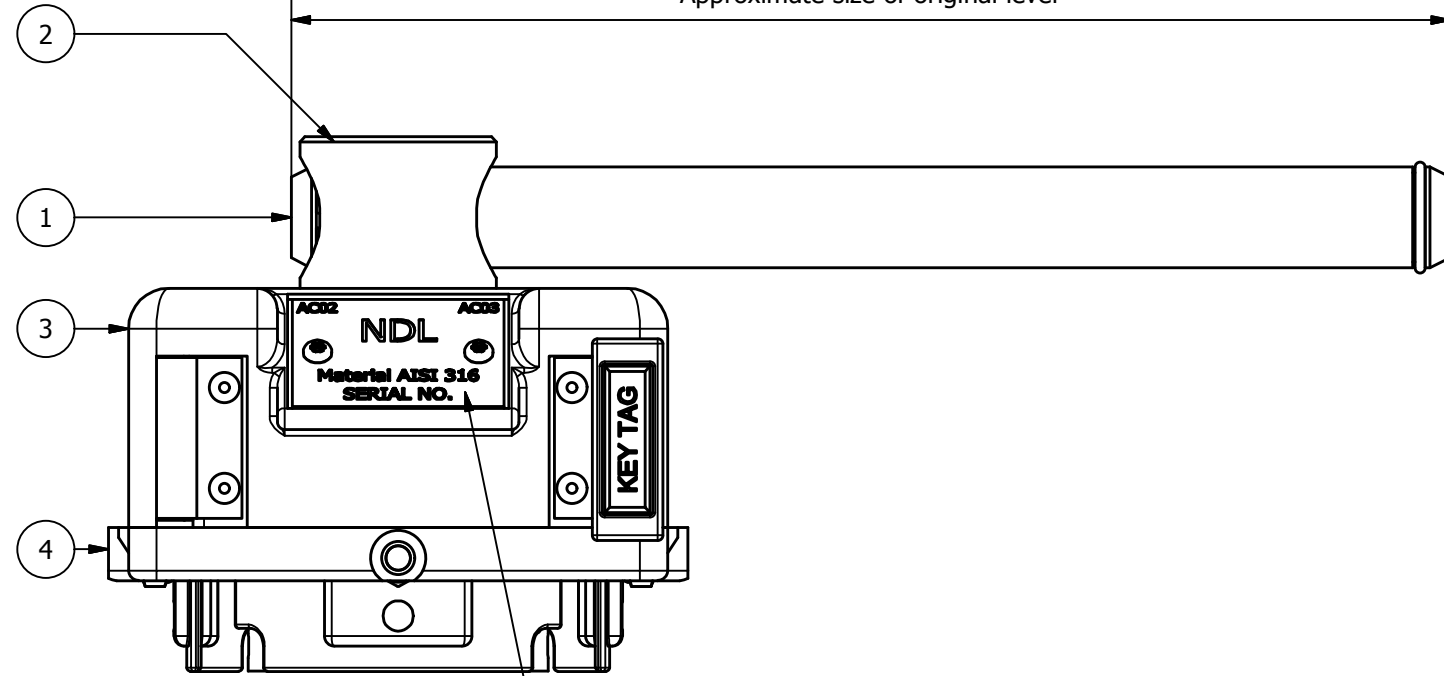


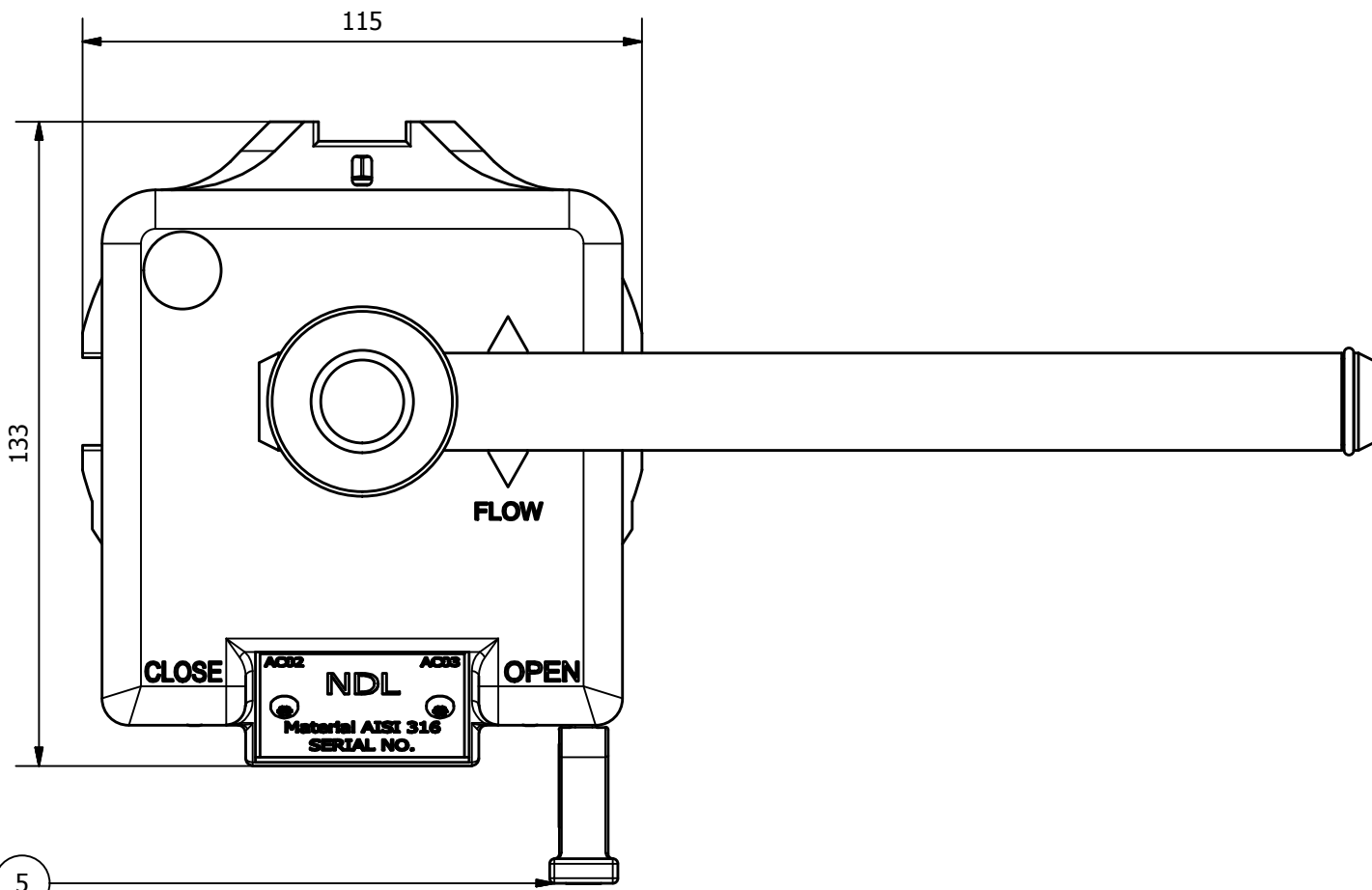
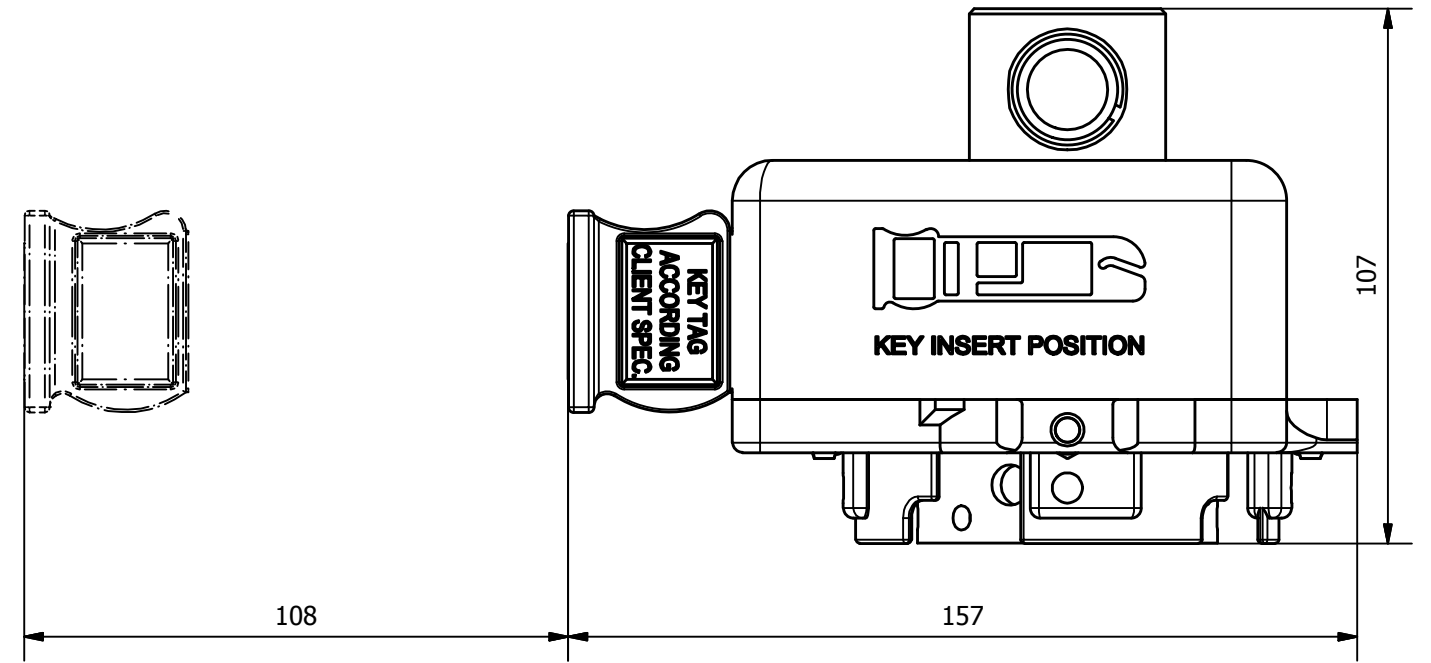
Properties

Mass 6.5 Kg

Approximate size of original lever



Key code & Serial Nr. engraved on AISI 316 tag plate, permanently fitted to locking device



ITEM	QTY	DESCRIPTION
5	1	KEY
4	1	BOTTOM PLATE SMALL
3	1	LOCKBODY NDL
1	1	LEVER
2	1	TUBE NDL

PARTS LIST

Drawn: AKE	Date: 19-6-2013	Checked:
Outline dimensions NDL Ninety Degree Lock type		
Units: mm	Projection:	A3
Drawing: NDL-S-GA		

R15